

D

D

C

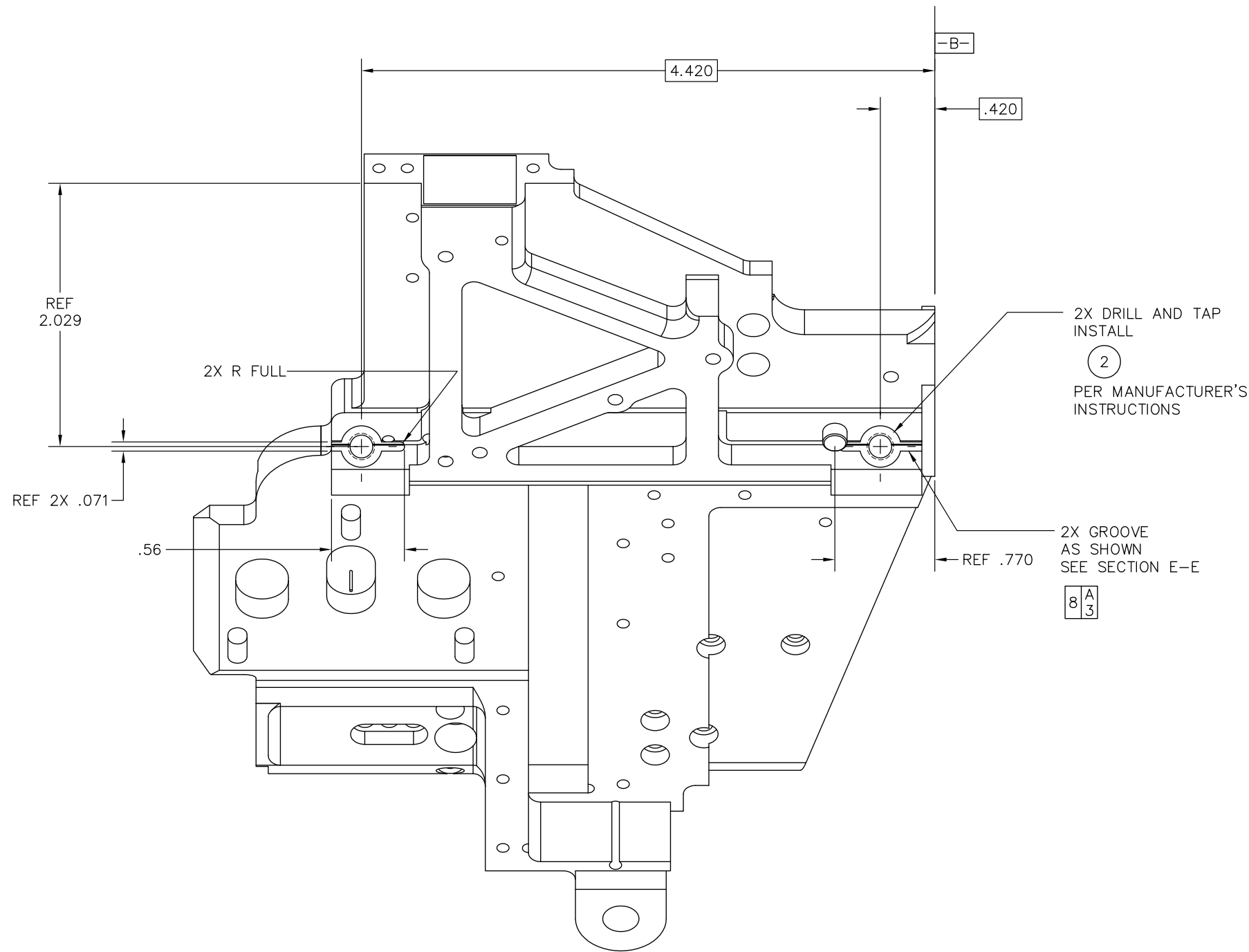
C

B

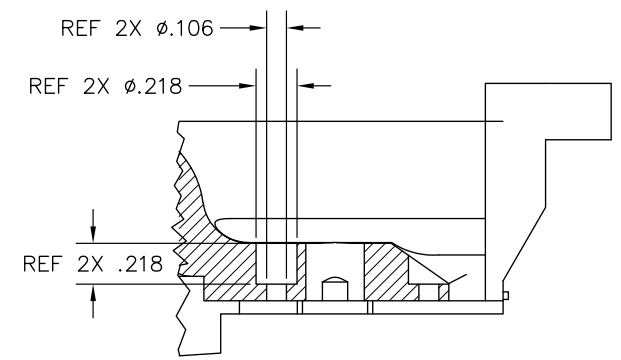
B

A

A



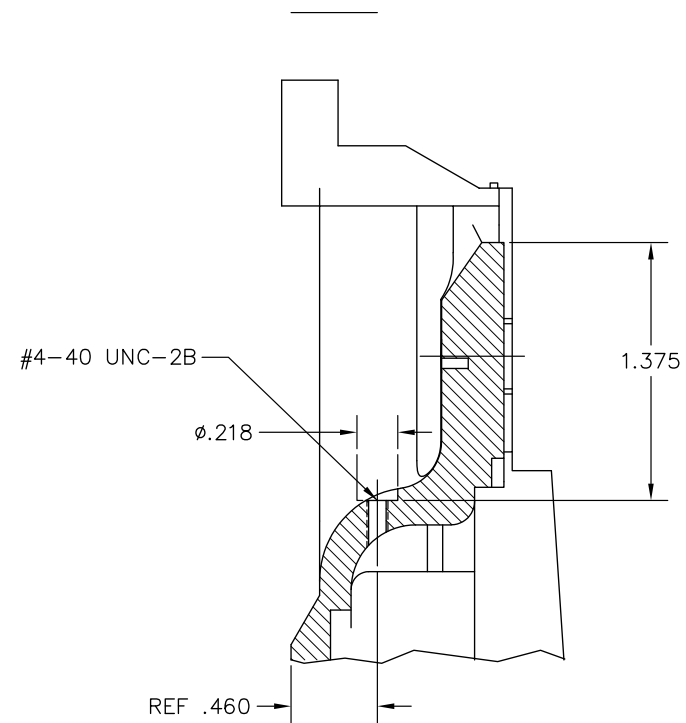
SECTION F-F 7^D₁
 ROTATED 90° CCW



SECTION K-K 2^B₈ ⊕

2X DRILL AND TAP
 INSTALL
 (2)
 PER MANUFACTURER'S
 INSTRUCTIONS

2X GROOVE
 AS SHOWN
 SEE SECTION E-E
8^A₃



SECTION H-H 2^B₈ ⊕

SEE SHEET 1 FOR NOTES.

SIZE D	CAGE CODE	DRAWING NUMBER	REV LTR K
SCALE 2/1	RELEASE DATE	SHEET 9	OF 10