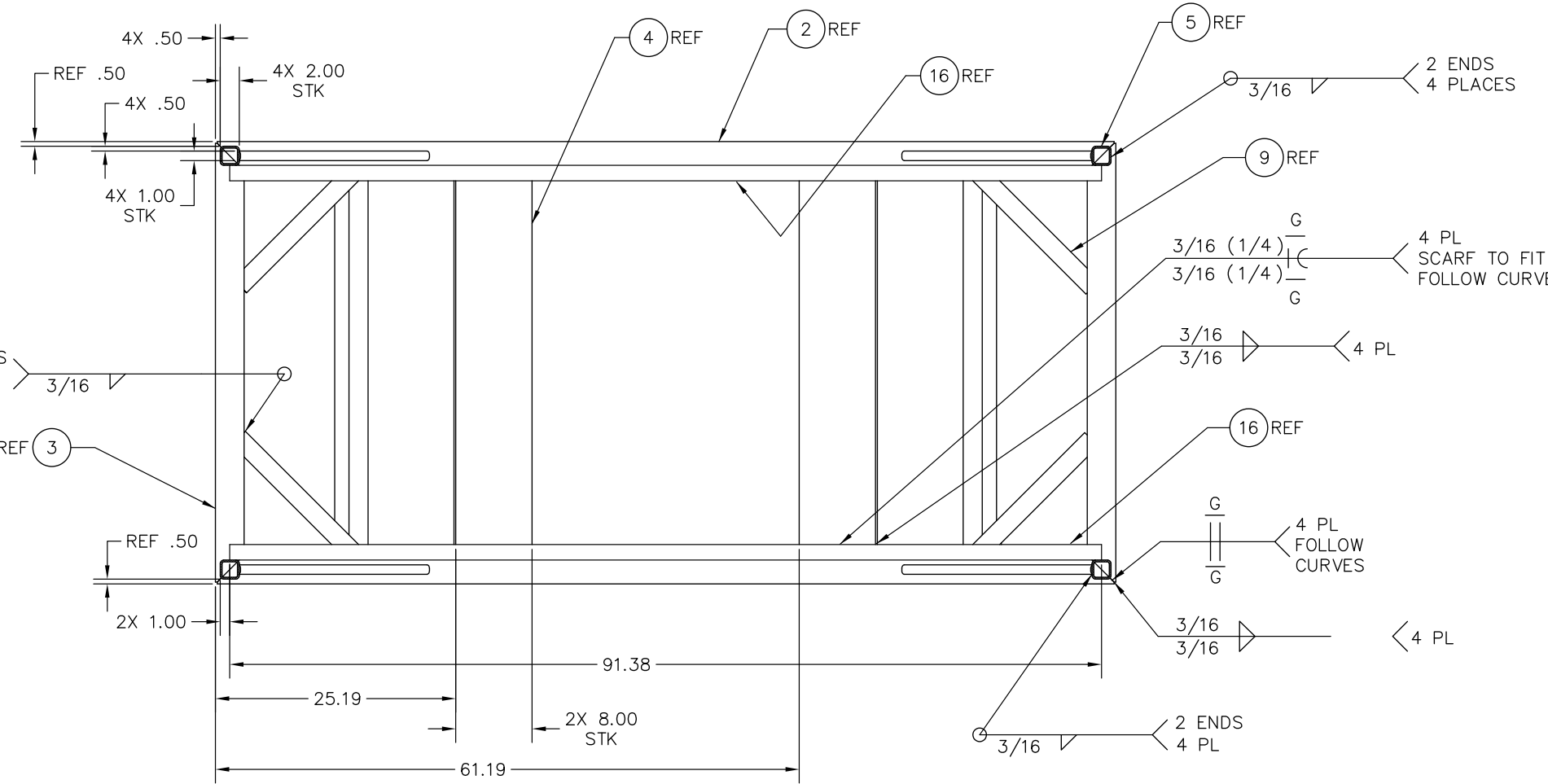
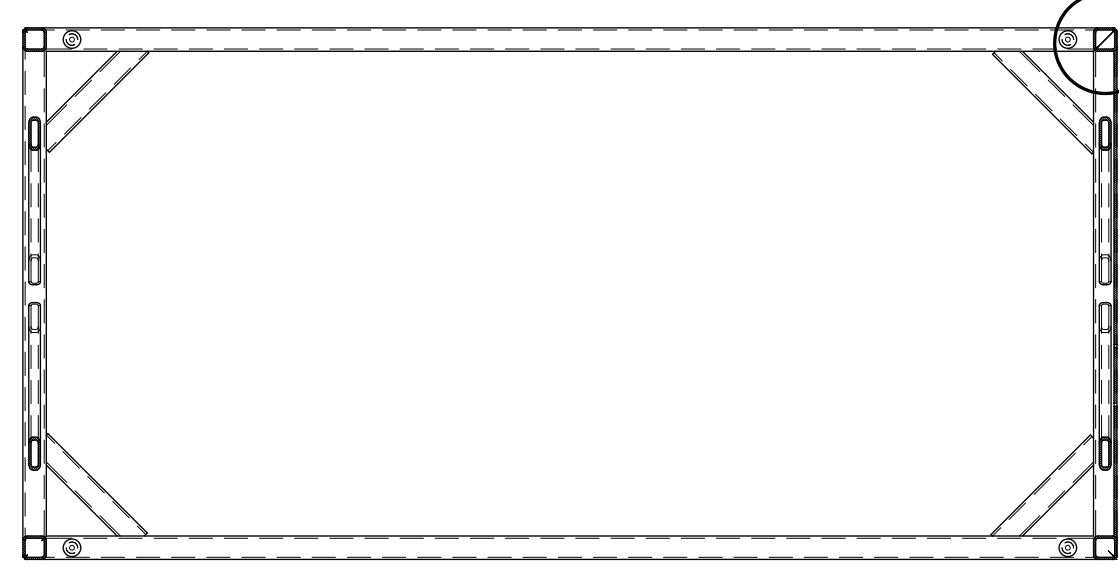


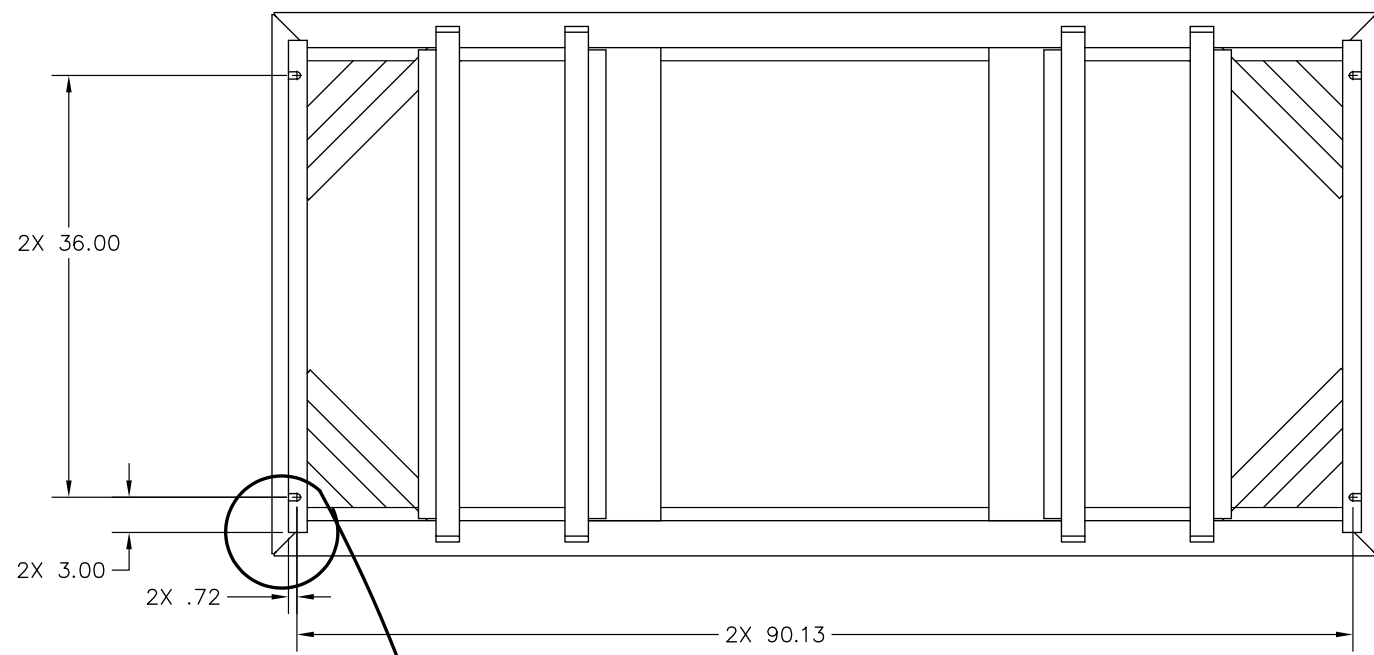
ZONE		LTR		DESCRIPTION	REVISIONS	DATE	APPROVED
				SEE SHEET 1 FOR REVISIONS			



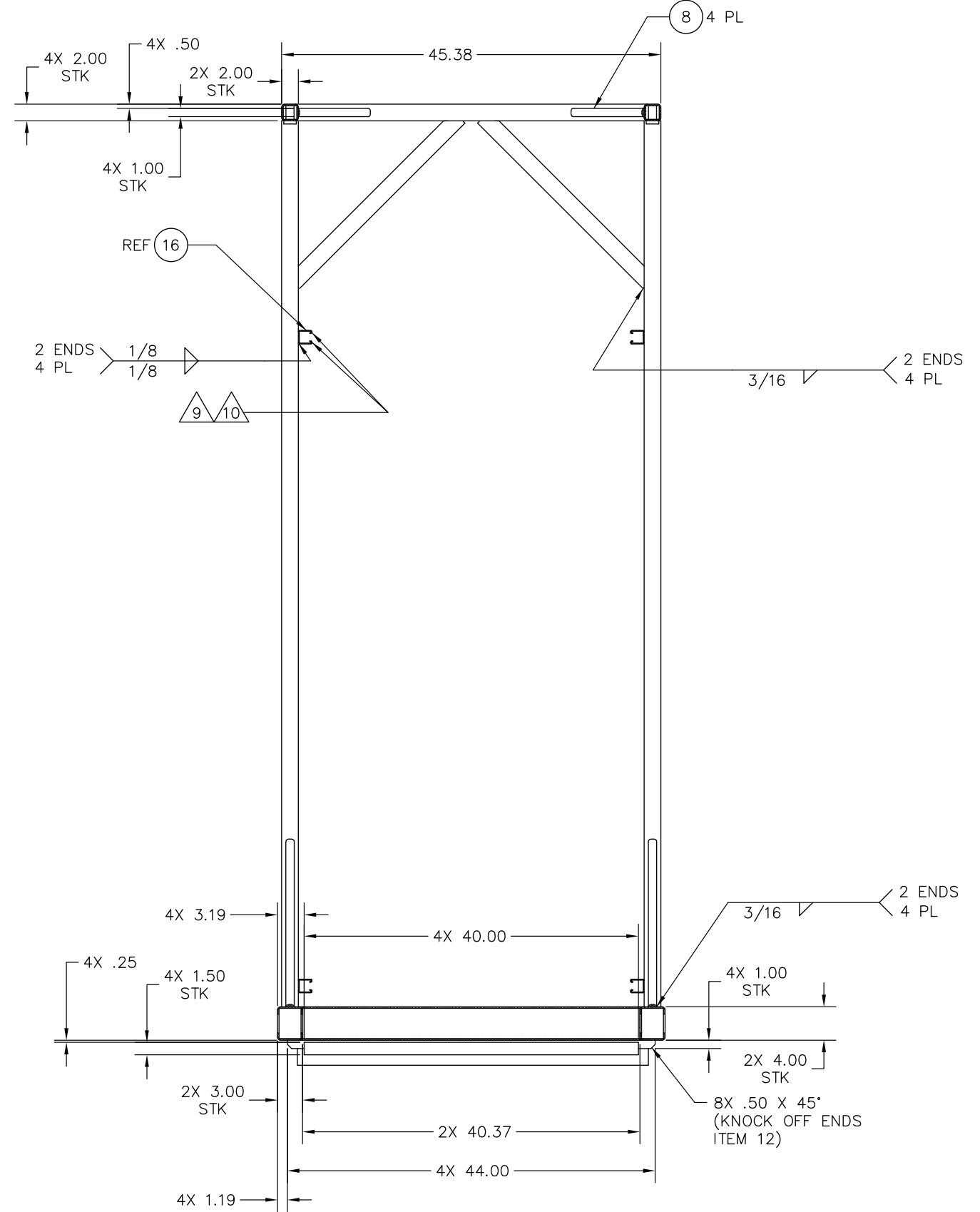
SECTION A-A 3 C 3



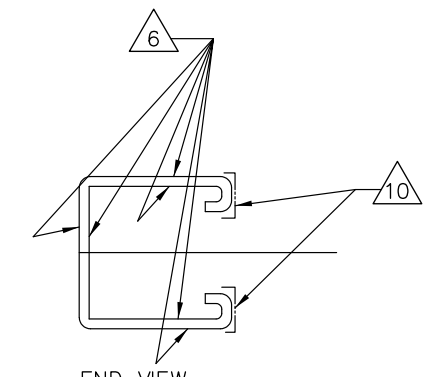
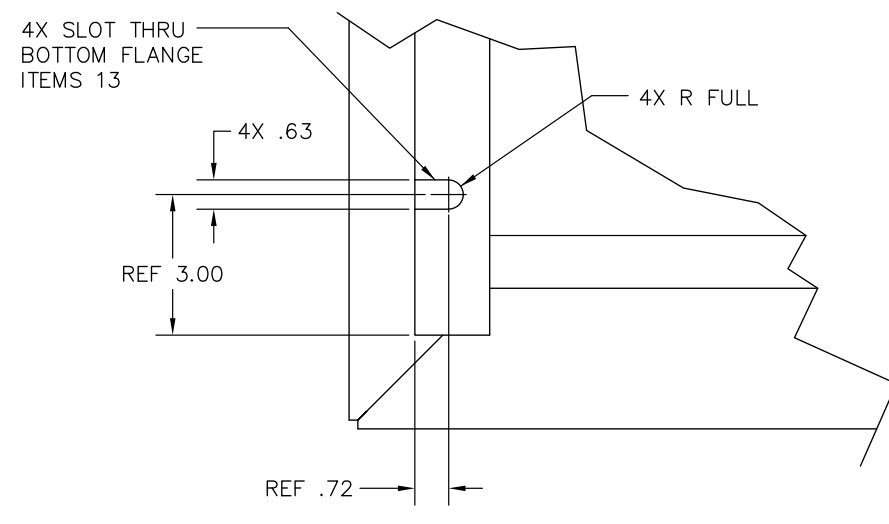
SECTION D-D 3 E 3



VIEW C-C 3 A 3



SECTION B-B 3 F 4



END VIEW UNISTRUT PIECES ITEMS 16 THRU 25 AND ITEM 39
TYPICAL MASKING AND FINISH FOR ITEMS 16 THRU 25 AND ITEM 39

SEE SHEET 1 FOR NOTES

SYSTEMS DIVISION		REV	DATE	APPROVED
102	XXXXXX	XXXXXX		
SCALE 1/8	RELEASE DATE	SHEET 6	OF 6	

XXXXXXXXXX