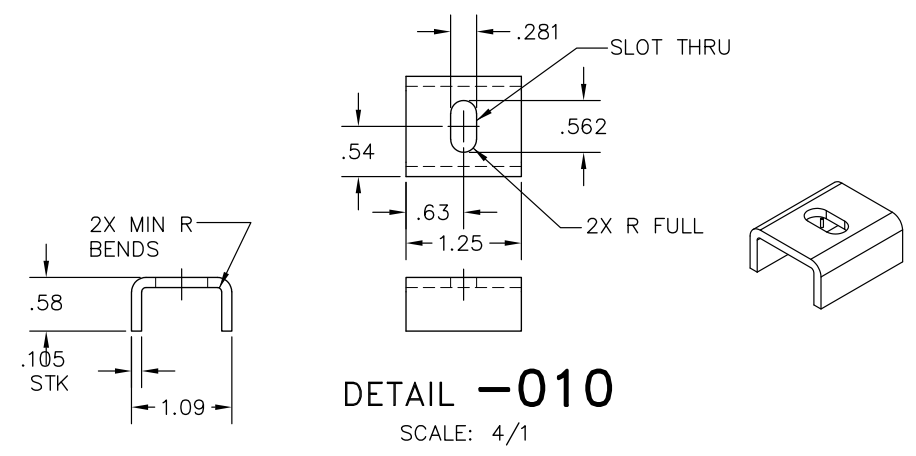
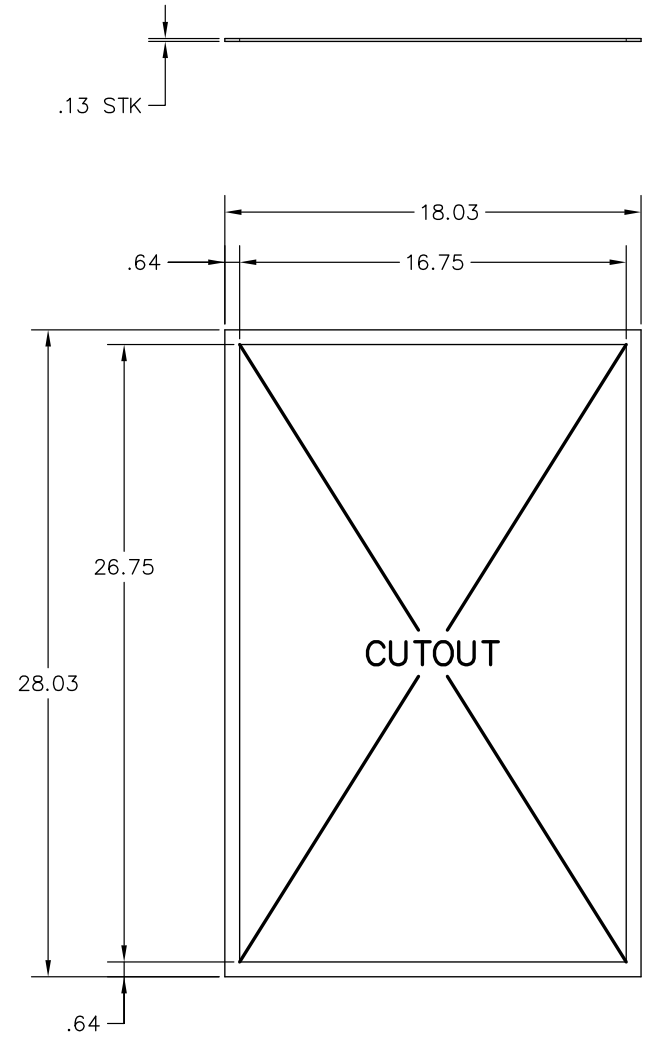
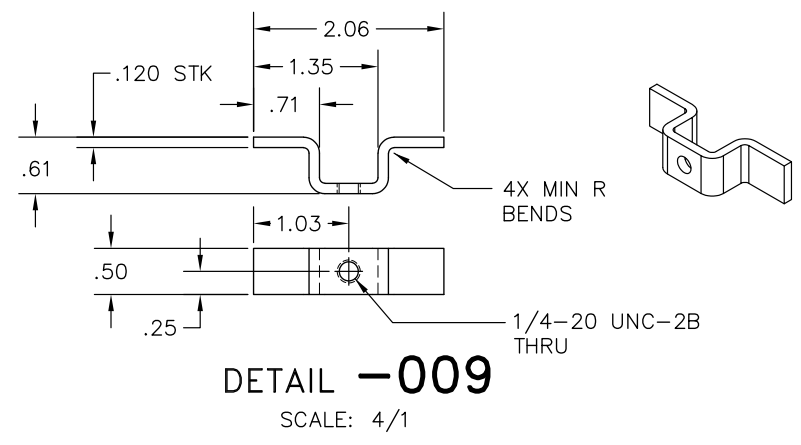


G		XXXXXXXXXX		REVISIONS	DATE	APPROVED
ZONE	LTR	DESCRIPTION				

SEE SHEET 1

D  
C  
B  
A

D  
C  
B  
A



SEE SHEET 1 FOR NOTES.

SIZE	CAGE CODE	DRAWING NUMBER	REV LTR
D	1TS27	XXXXXXXXXX	-
SCALE	RELEASE DATE	SHEET	
1/4		5	

8 7 6 5 4 3 2 1